

# SQUARE STRAIGHT STEEL POLE

## SNTS 4"

PROJECT NAME: 446 HIGH STREET

PROJECT TYPE: R4FT

### FEATURES

#### Shaft

4" square, fabricated from high grade structural steel tube. Shaft conforms to ASTM-A-501-68 specifications. Meets or exceeds minimum yield strength of 46,000 P.S.I. Wall thickness 11 GA. (.120 wall) or 7 GA. (.180 wall) as specified. Reinforced hand hole is furnished with cover. Shaft is furnished with ground lug located inside pole on wall opposite hand hole.

#### Base Plate

Fabricated from structural quality hot rolled steel. Meets or exceeds minimum yield strength of 36,000 P.S.I. base telescopes and is circumferentially welded to pole shaft. Slotted bolt holes provide 1" flexibility on either side of bolt circle centerline.

#### Anchorage

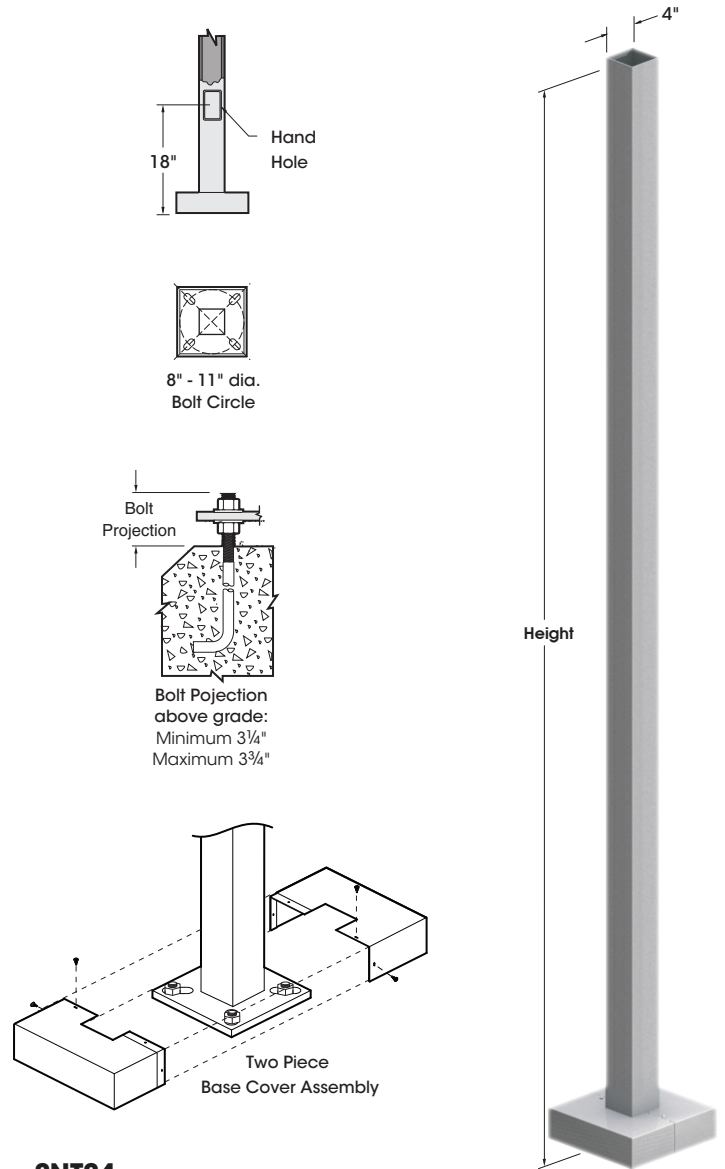
(4) anchor bolts fabricated from hot rolled steel bar. Minimum yield strength of 50,000 P.S.I. bolts have "L" bend on one end and are threaded on the other. Bolts are fully galvanized and are furnished with two nuts and two washers.

#### Base Cover

Fabricated from heavy gauge quality carbon steel. Two-piece cover conceals base.

#### Finish

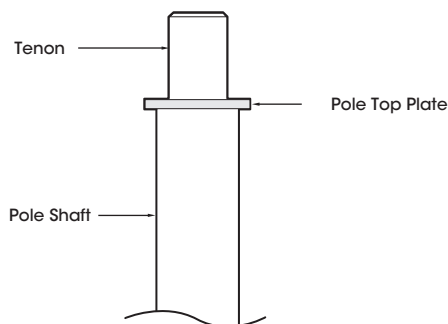
Electrostatically applied TGIC Polyester Powder Coat on substrate prepared with 20 PSI power wash at 140°F. Four step media blast and iron phosphate pretreatment for protection and paint adhesion. 400°F bake for maximum hardness and durability.



SNTS4

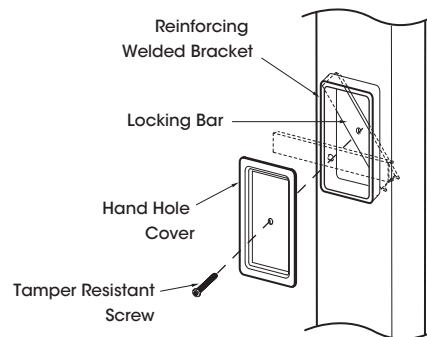
### Pole Top Mount

PT23 - 2<sup>3</sup>/<sub>8</sub>"X4" Tenon      PT27 - 2<sup>7</sup>/<sub>8</sub>"X4" Tenon



### Hand Hole Cover

Reinforced hand hole w/tamper resistant bolt assembly



# □ SNTS 4"

## SPECIFICATIONS

### Engineering Data

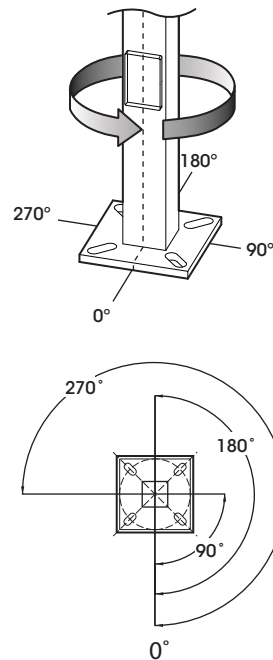
Maximum EPA - Square Feet

Model Number	Max. Fixture Weight	100 MPH	90 MPH	80 MPH	70 MPH
SNTS 104 - 11	400	16.7	20.5	26.1	33.4
SNTS 124 - 11	400	12.2	16.1	20.4	25.8
SNTS 144 - 11	400	9.9	12.8	16.1	20.2
SNTS 154 - 11	400	8.9	11.4	14.4	17.9
SNTS 164 - 11	400	7.9	10.1	12.8	15.9
SNTS 184 - 11	400	6.2	8.2	10.1	13.8
SNTS 204 - 11	400	4.8	6.2	7.9	11.6
SNTS 204 - 7	450	8.8	11.3	14.0	17.4
SNTS 254 - 11	350	1.6	3.2	5.5	8.8
SNTS 254 - 7	450	4.3	6.1	9.1	11.2

All above design calculations are based on sustained wind forces plus additional 1.3 wind gust  
(Example: Pole rated at 80 MPH withstands 104 MPH gusts)

### Drilled Side Mount

Specify drilling location using codes below.



## ORDERING INFORMATION

Spec/Order Example: SNTS204-7/2-180/RAL-6005-S

Pole Model Number - SNTS 4"					Mounting 1	Finish XX	Options
Pole Model Number - SNTS 4"					Mounting	Finish	Options
	Pole Height	Wall Thickness	Bolt Circle	Anchorage			
<input type="checkbox"/> SNTS 104 - 11	10'	11	9"	3/4"X18"X3"	<b>Arm Mount</b> <input type="checkbox"/> <b>PT23</b> 2 7/8" X 4" Tenon <input type="checkbox"/> <b>PT27</b> 2 7/8" X 4" Tenon <input type="checkbox"/> Other Tenon Mt _____  <b>Drill Mount</b> <input type="checkbox"/> 1 ..... ● <input type="checkbox"/> 2-180 ..... ●● <input type="checkbox"/> 2-90 ..... ●● <input type="checkbox"/> 3-90 ..... ●●● <input type="checkbox"/> 4-90 ..... ●●●● <input type="checkbox"/> 3-120 ..... ●●●●  3-120 requires PT27 and T3120 Adapter	<b>Standard Smooth Finish</b> <input type="checkbox"/> Black <b>RAL-9005-S</b> <input type="checkbox"/> White <b>RAL-9003-S</b> <input type="checkbox"/> Grey <b>RAL-7004-S</b> <input type="checkbox"/> Dark Bronze <b>RAL-8019-S</b> <input type="checkbox"/> Green <b>RAL-6005-S</b>  All Steel Poles supplied with Smooth Finish  See USALTG.COM for additional colors	<b>Receptacle</b> <input type="checkbox"/> Duplex Receptacle <b>DUP</b> <input type="checkbox"/> GFI Receptacle <b>GFI</b> <input type="checkbox"/> 3 Way Adapter <b>T3120</b>  <b>Coupling</b> <input type="checkbox"/> 1/2" Coupling <b>CPLN1/2</b> <input type="checkbox"/> 3/4" Coupling <b>CPLN3/4</b> <input type="checkbox"/> 2" Coupling <b>CPLN2</b>  Specify Coupling location  Refer to the Accessories Section for other options
<input type="checkbox"/> SNTS 124 - 11	12'	11	9"	3/4"X18"X3"			
<input type="checkbox"/> SNTS 144 - 11	14'	11	9"	3/4"X18"X3"			
<input type="checkbox"/> SNTS 154 - 11	15'	11	9"	3/4"X18"X3"			
<input type="checkbox"/> SNTS 164 - 11	16'	11	9"	3/4"X18"X3"			
<input type="checkbox"/> SNTS 184 - 11	18'	11	9"	3/4"X18"X3"			
<input type="checkbox"/> SNTS 204 - 11	20'	11	10"	3/4"X24"X3"			
<input type="checkbox"/> SNTS 204 - 7	20'	7	11"	3/4"X30"X3"			
<input type="checkbox"/> SNTS 254 - 11	25'	11	11"	3/4"X24"X3"			
<input type="checkbox"/> SNTS 254 - 7	25'	7	11"	3/4"X30"X3"			
<input type="checkbox"/> Specify other heights _____							